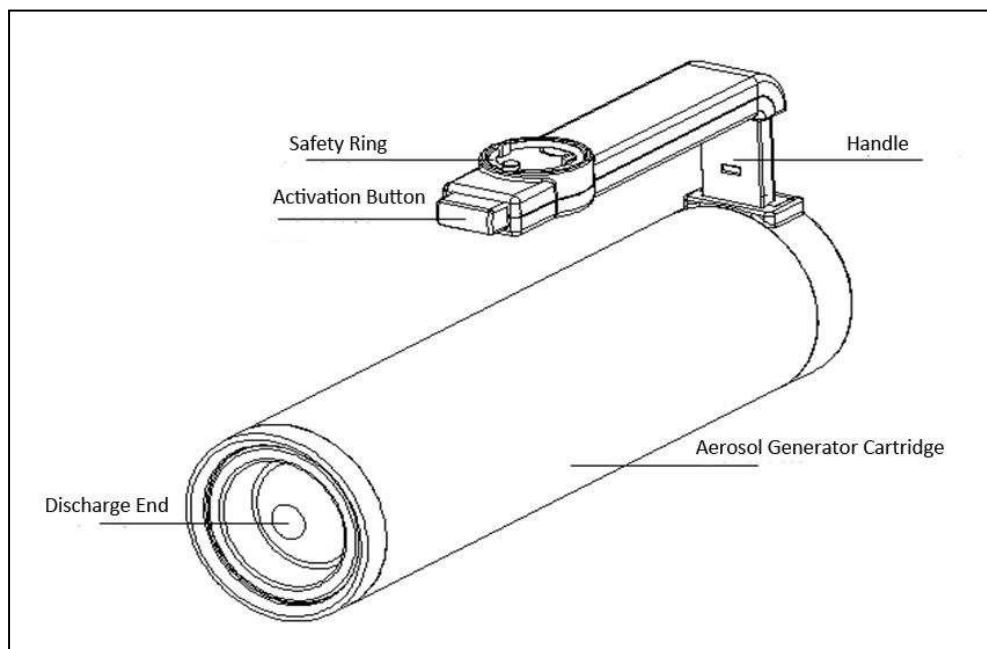


User Manual

Please read carefully before using

Portable Nano Particles Disposable Fire Extinguisher (FP-100)

Instruction Manual



1. Aerosol -----an innovating, clean and economical extinguishing agent

In the range of the new generation of extinguishing agents, an innovative product is now available for the realization of effective fire-prevention. As an advanced highly effective fire suppression system, aerosol is firstly adopted in Russian aerospace technology. It is a creation of flameless solid fuels for aviation rockets. Particularly, the solid fuels would provide propulsion but no tailing heat or flame path to guide thermal-guided missiles or alert thermal radars systems. Now, it has been converted of military research into civil applications.

Comparing with conventional pressurized based fire extinguishers, FP-100 enjoys numerous advantages such as compact size, no annual maintenance & cost, no residue after discharge, environmental friendly, easy to operate, safe and reliable, etc.

This portable fire extinguisher (FP-100) unit is one of the best choices to replace conventional fire extinguishers, as a latest innovative product, help user to protect the residential appliances, such as kitchen, car, boat and garage etc.

2. Key Feature



No pressurized cylinder
No maintenance cost



Tested & Certificated



No toxicity



Green Agent



Compact size & weight



Environmental
friendly

3. Application

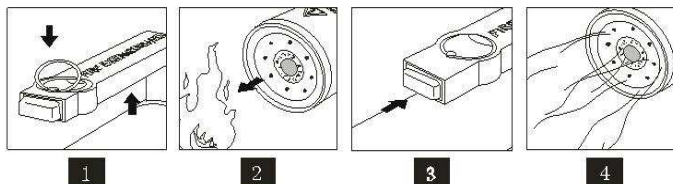


4. Product Specification

Product Specification	
Model	FP-100
Discharge Distance	3m
Discharge Time	≥8s
Length	235 mm
Diameter	80 mm
Net Weight	800g ± 20g
Working temperature	-20°C -60°C

5. Operation Instruction

1. Pull out the handle.
2. Pull the manual safety ring at the bottom of the unit.
3. Hold the extinguisher vertical possibly to aim the nozzle at the nearest edge of the flame base.
4. Press the start button.
5. Discharge the unit until the fire is out.



6. Maintenance

- * Keep unit in dry ventilated area
- * Product service life – 5 years

7. Warning

- * Keep out of children reach.
- * Do not aim at people.
- * Disassembly voids warranty and may render unit useless.
- * Avoid storage in high temperature ambient.
- * Do not keep the unit together with any flammable articles
- * Do not touch discharged end after use, avoid burn.

8. Contents

- 1 pc Quality Certificate
- 1 Instruction Manual



Assessed to ISO 9001

Certificate No.1241